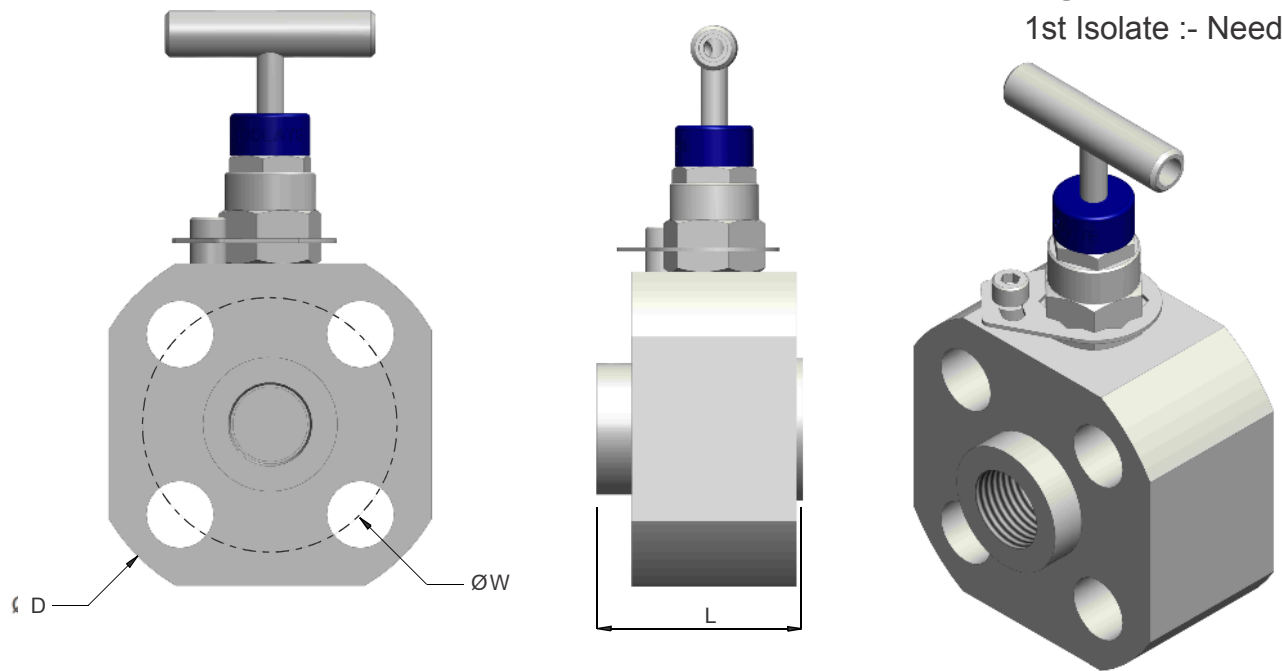


## Single Block Monoflange Valve Flange x Thread

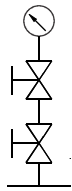
1st Isolate :- Needle



Flange Size (Inch)	Flange Class	Out Side Diameter of Flange Ø D (mm)	Diameter of Bolt Circle Ø W	No. of Bolts	Diameter of Bolt Holes (mm)	Diameter of Bolts (Inch)	TOTAL LENGTH (L)
1/2 (DN 15)	150	90	60.3	4	15.9	1/2	52
	300	95	66.7	4	15.9	1/2	52
	600	95	66.7	4	15.9	1/2	52
	900/1500	120	82.6	4	22.2	3/4	52
	2500	135	88.9	4	22.2	3/4	55
3/4 (DN 20)	150	100	69.9	4	15.9	1/2	52
	300	115	82.6	4	19.1	5/8	52
	600	115	82.6	4	19.1	5/8	52
	900/1500	130.0	88.9	4	22.2	3/4	52
	2500	140	95	4	22.2	3/4	55
1 (DN 25)	150	110.0	79.4	4	15.9	1/2	52
	300	125.0	88.9	4	19.1	5/8	52
	600	125.0	88.9	4	19.1	5/8	52
	900/1500	150.0	101.6	4	25.4	7/8	52
	2500	160	107.4	4	25.4	7/8	55
1 1/2 (DN 40)	150	125.0	98.4	4	15.9	1/2	52
	300	155	114.3	4	22.2	3/4	52
	600	155	114.3	4	22.2	3/4	52
	900/1500	180	123.8	4	28.6	1	52
	2500	205	146	4	31.8	1 1/8	55
2 (DN 50)	150	150	120.7	4	19.1	5/8	52
	300	165	127	8	19.1	5/8	52
	600	165	127	8	19.1	5/8	52
	900/1500	215	165.1	8	25.4	7/8	52
	2500	235.0	171.4	8	28.6	1	55

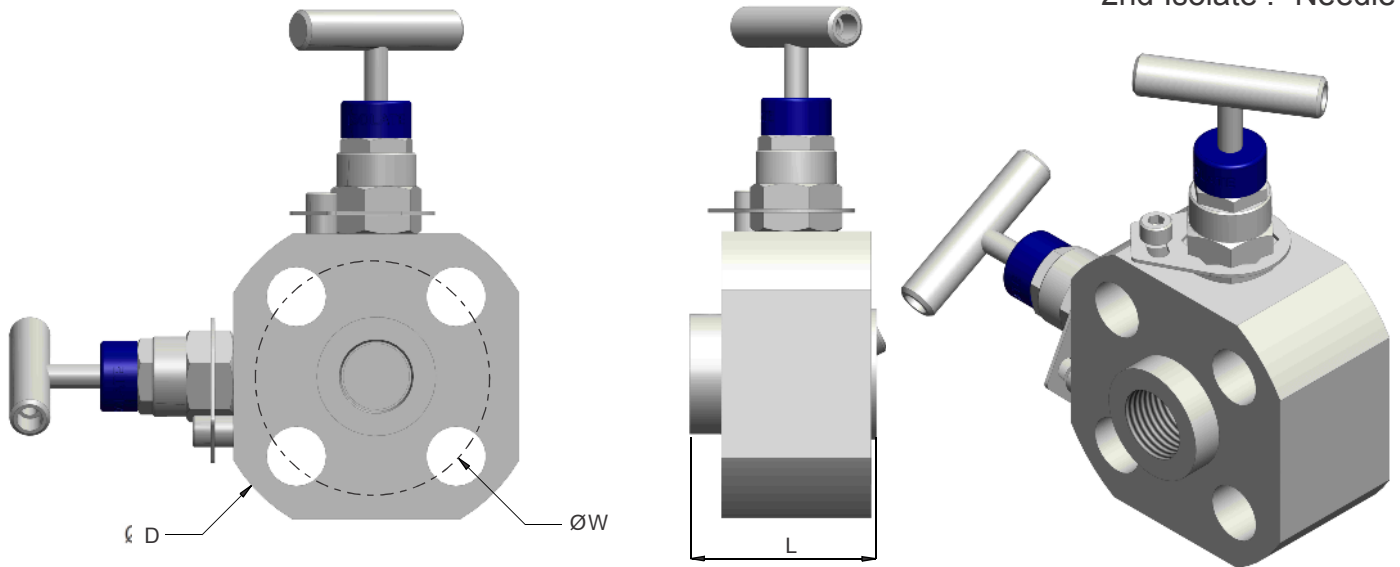
Note :- 1) End Connection of different size can be provided on request.

2) Dimension in millimeter are for reference only and are subject to change



## Double Block Monoflange Valve Flange x Thread

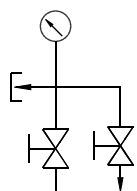
1st Isolate :- Needle  
2nd Isolate :- Needle



Flange Size (Inch)	Flange Class	Out Side Diameter of Flange Ø D (mm)	Diameter of Bolt Circle Ø W	No. of Bolts	Diameter of Bolt Holes (mm)	Diameter of Bolts (Inch)	TOTAL LENGTH (L)
1/2 (DN 15)	150	90	60.3	4	15.9	1/2	52
	300	95	66.7	4	15.9	1/2	52
	600	95	66.7	4	15.9	1/2	52
	900/1500	120	82.6	4	22.2	3/4	52
	2500	135	88.9	4	22.2	3/4	55
3/4 (DN 20)	150	100	69.9	4	15.9	1/2	52
	300	115	82.6	4	19.1	5/8	52
	600	115	82.6	4	19.1	5/8	52
	900/1500	130.0	88.9	4	22.2	3/4	52
	2500	140	95	4	22.2	3/4	55
1 (DN 25)	150	110.0	79.4	4	15.9	1/2	52
	300	125.0	88.9	4	19.1	5/8	52
	600	125.0	88.9	4	19.1	5/8	52
	900/1500	150.0	101.6	4	25.4	7/8	52
	2500	160	107.4	4	25.4	7/8	55
1 1/2 (DN 40)	150	125.0	98.4	4	15.9	1/2	52
	300	155	114.3	4	22.2	3/4	52
	600	155	114.3	4	22.2	3/4	52
	900/1500	180	123.8	4	28.6	1	52
	2500	205	146	4	31.8	1 1/8	55
2 (DN 50)	150	150	120.7	4	19.1	5/8	52
	300	165	127	8	19.1	5/8	52
	600	165	127	8	19.1	5/8	52
	900/1500	215	165.1	8	25.4	7/8	52
	2500	235.0	171.4	8	28.6	1	55

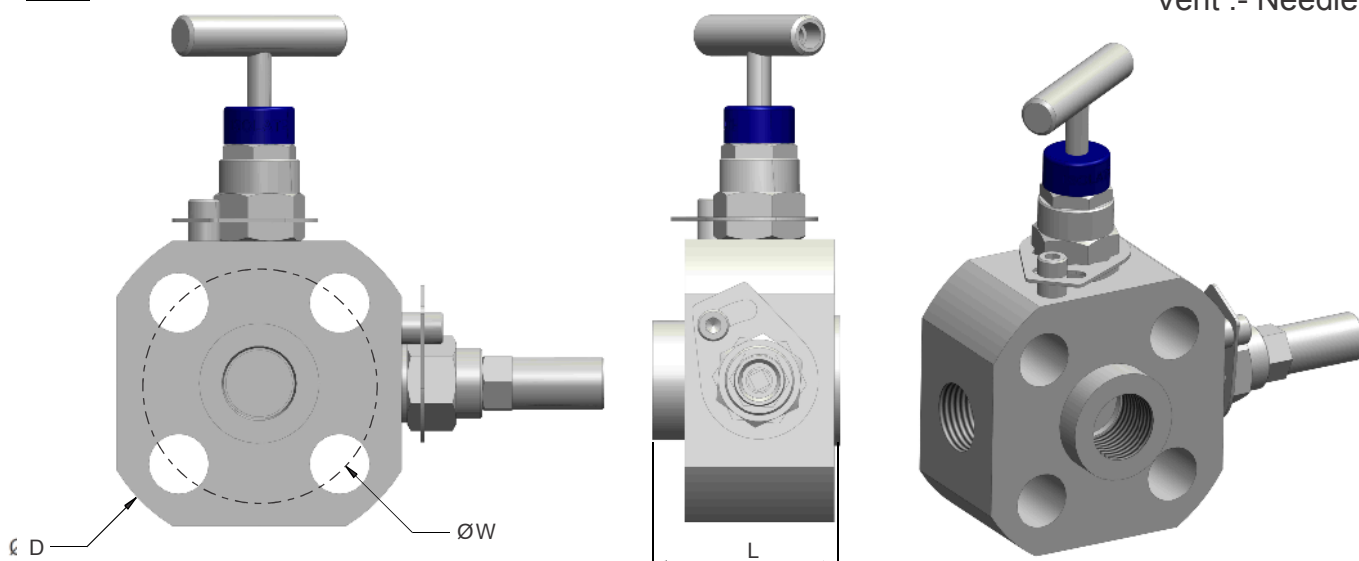
Note :- 1) End Connection of different size can be provided on request.

2) Dimension in millimeter are for reference only and are subject to change



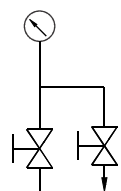
## Single Block & Bleed Monoflange Valve Flange x Thread

1st Isolate :- Needle  
Vent :- Needle



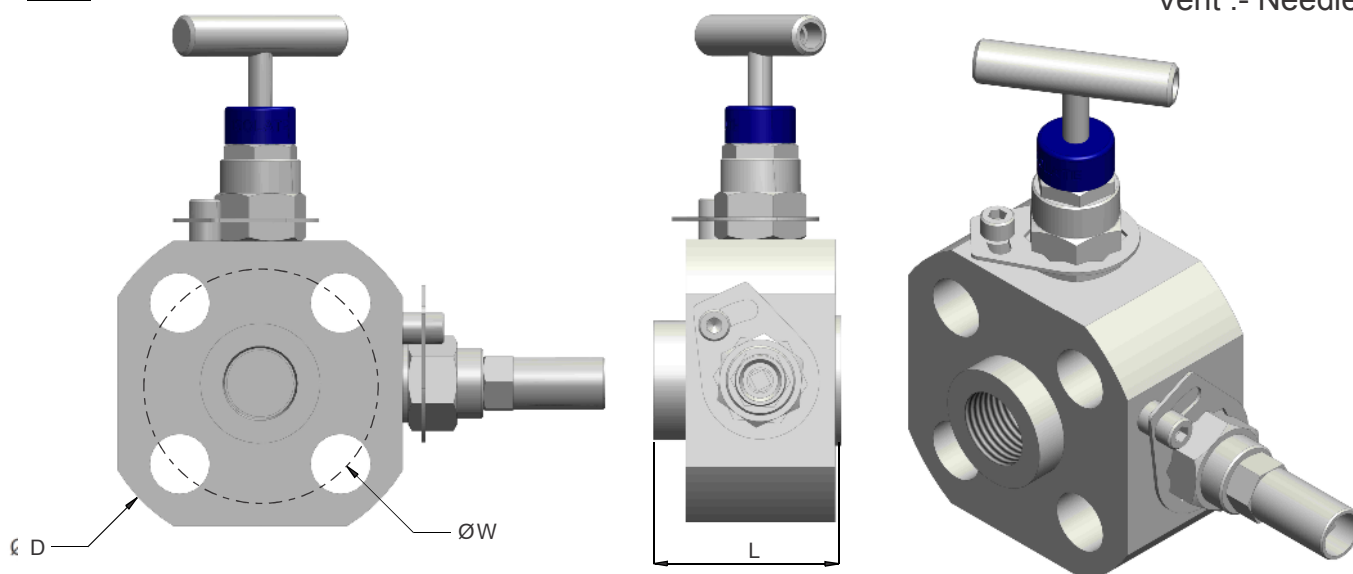
Flange Size (Inch)	Flange Class	Out Side Diameter of Flange Ø D (mm)	Diameter of Bolt Circle Ø W	No. of Bolts	Diameter of Bolt Holes (mm)	Diameter of Bolts (Inch)	TOTAL LENGTH (L)
1/2 (DN 15)	150	90	60.3	4	15.9	1/2	52
	300	95	66.7	4	15.9	1/2	52
	600	95	66.7	4	15.9	1/2	52
	900/1500	120	82.6	4	22.2	3/4	52
	2500	135	88.9	4	22.2	3/4	55
3/4 (DN 20)	150	100	69.9	4	15.9	1/2	52
	300	115	82.6	4	19.1	5/8	52
	600	115	82.6	4	19.1	5/8	52
	900/1500	130.0	88.9	4	22.2	3/4	52
	2500	140	95	4	22.2	3/4	55
1 (DN 25)	150	110.0	79.4	4	15.9	1/2	52
	300	125.0	88.9	4	19.1	5/8	52
	600	125.0	88.9	4	19.1	5/8	52
	900/1500	150.0	101.6	4	25.4	7/8	52
	2500	160	107.4	4	25.4	7/8	55
1 1/2 (DN 40)	150	125.0	98.4	4	15.9	1/2	52
	300	155	114.3	4	22.2	3/4	52
	600	155	114.3	4	22.2	3/4	52
	900/1500	180	123.8	4	28.6	1	52
	2500	205	146	4	31.8	1 1/8	55
2 (DN 50)	150	150	120.7	4	19.1	5/8	52
	300	165	127	8	19.1	5/8	52
	600	165	127	8	19.1	5/8	52
	900/1500	215	165.1	8	25.4	7/8	52
	2500	235.0	171.4	8	28.6	1	55

Note :- 1) End Connection of different size can be provided on request.  
2) Dimension in millimeter are for reference only and are subject to change



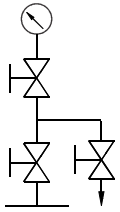
## Single Block & Bleed Monoflange Valve Flange x Thread

1st Isolate :- Needle  
Vent :- Needle



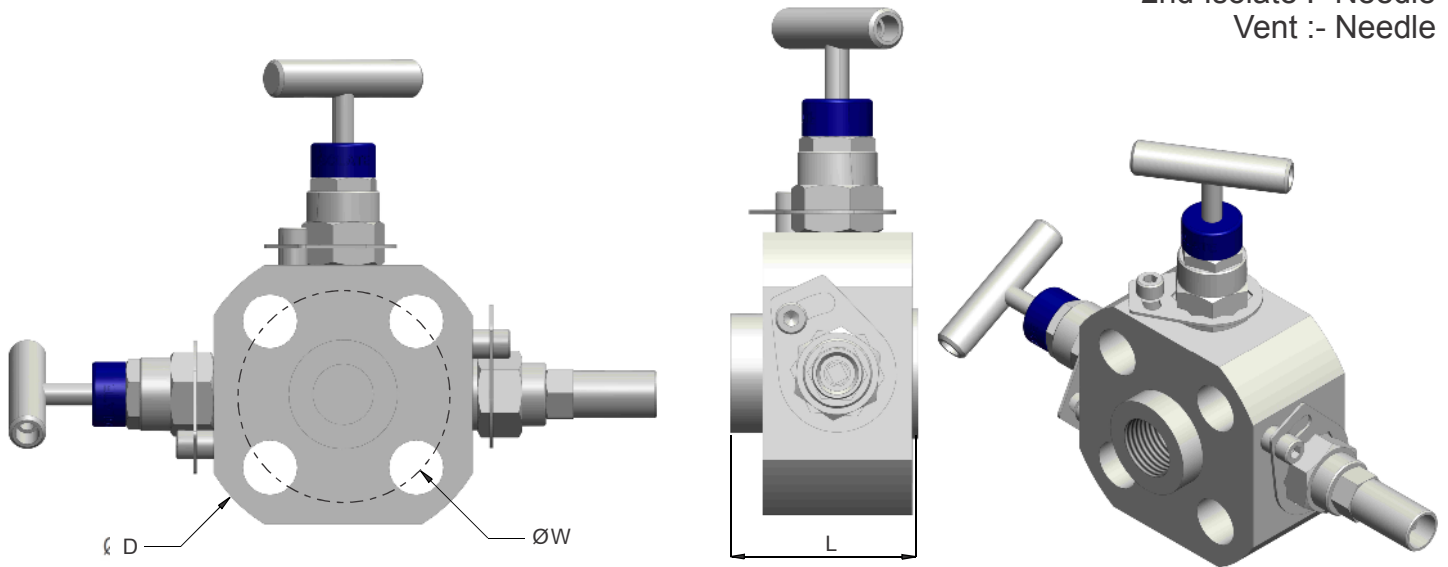
Flange Size (Inch)	Flange Class	Out Side Diameter of Flange Ø D (mm)	Diameter of Bolt Circle Ø W	No. of Bolts	Diameter of Bolt Holes (mm)	Diameter of Bolts (Inch)	TOTAL LENGTH (L)
1/2 (DN 15)	150	90	60.3	4	15.9	1/2	52
	300	95	66.7	4	15.9	1/2	52
	600	95	66.7	4	15.9	1/2	52
	900/1500	120	82.6	4	22.2	3/4	52
	2500	135	88.9	4	22.2	3/4	55
3/4 (DN 20)	150	100	69.9	4	15.9	1/2	52
	300	115	82.6	4	19.1	5/8	52
	600	115	82.6	4	19.1	5/8	52
	900/1500	130.0	88.9	4	22.2	3/4	52
	2500	140	95	4	22.2	3/4	55
1 (DN 25)	150	110.0	79.4	4	15.9	1/2	52
	300	125.0	88.9	4	19.1	5/8	52
	600	125.0	88.9	4	19.1	5/8	52
	900/1500	150.0	101.6	4	25.4	7/8	52
	2500	160	107.4	4	25.4	7/8	55
1 1/2 (DN 40)	150	125.0	98.4	4	15.9	1/2	52
	300	155	114.3	4	22.2	3/4	52
	600	155	114.3	4	22.2	3/4	52
	900/1500	180	123.8	4	28.6	1	52
	2500	205	146	4	31.8	1 1/8	55
2 (DN 50)	150	150	120.7	4	19.1	5/8	52
	300	165	127	8	19.1	5/8	52
	600	165	127	8	19.1	5/8	52
	900/1500	215	165.1	8	25.4	7/8	52
	2500	235.0	171.4	8	28.6	1	55

Note :- 1) End Connection of different size can be provided on request.  
2) Dimension in millimeter are for reference only and are subject to change



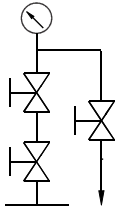
## Double Block & Bleed Monoflange Valve Flange x Thread

1st Isolate :- Needle  
2nd Isolate :- Needle  
Vent :- Needle



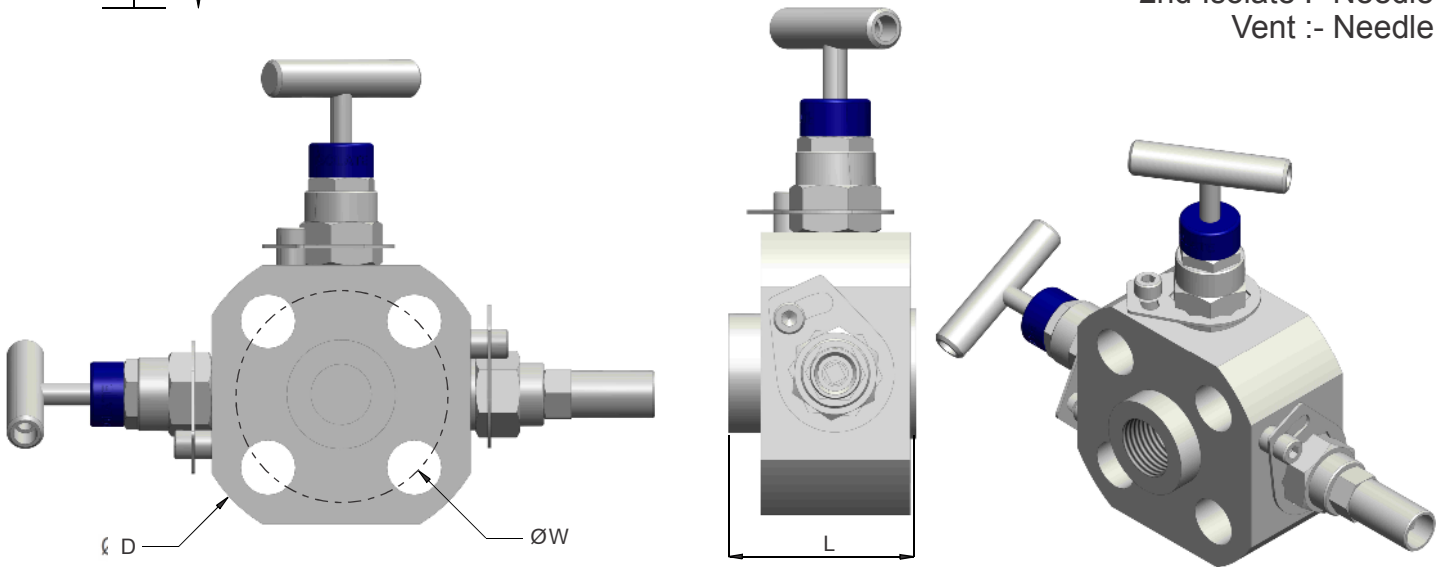
Flange Size (Inch)	Flange Class	Out Side Diameter of Flange Ø D (mm)	Diameter of Bolt Circle Ø W	No. of Bolts	Diameter of Bolt Holes (mm)	Diameter of Bolts (Inch)	TOTAL LENGTH (L)
1/2 (DN 15)	150	90	60.3	4	15.9	1/2	52
	300	95	66.7	4	15.9	1/2	52
	600	95	66.7	4	15.9	1/2	52
	900/1500	120	82.6	4	22.2	3/4	52
	2500	135	88.9	4	22.2	3/4	55
3/4 (DN 20)	150	100	69.9	4	15.9	1/2	52
	300	115	82.6	4	19.1	5/8	52
	600	115	82.6	4	19.1	5/8	52
	900/1500	130.0	88.9	4	22.2	3/4	52
	2500	140	95	4	22.2	3/4	55
1 (DN 25)	150	110.0	79.4	4	15.9	1/2	52
	300	125.0	88.9	4	19.1	5/8	52
	600	125.0	88.9	4	19.1	5/8	52
	900/1500	150.0	101.6	4	25.4	7/8	52
	2500	160	107.4	4	25.4	7/8	55
1 1/2 (DN 40)	150	125.0	98.4	4	15.9	1/2	52
	300	155	114.3	4	22.2	3/4	52
	600	155	114.3	4	22.2	3/4	52
	900/1500	180	123.8	4	28.6	1	52
	2500	205	146	4	31.8	1 1/8	55
2 (DN 50)	150	150	120.7	4	19.1	5/8	52
	300	165	127	8	19.1	5/8	52
	600	165	127	8	19.1	5/8	52
	900/1500	215	165.1	8	25.4	7/8	52
	2500	235.0	171.4	8	28.6	1	55

Note :- 1) End Connection of different size can be provided on request.  
2) Dimension in millimeter are for reference only and are subject to change



## Double Block & Bleed Monoflange Valve Flange x Thread

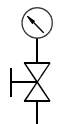
1st Isolate :- Needle  
2nd Isolate :- Needle  
Vent :- Needle



Flange Size (Inch)	Flange Class	Out Side Diameter of Flange Ø D (mm)	Diameter of Bolt Circle Ø W	No. of Bolts	Diameter of Bolt Holes (mm)	Diameter of Bolts (Inch)	TOTAL LENGTH (L)
1/2 (DN 15)	150	90	60.3	4	15.9	1/2	52
	300	95	66.7	4	15.9	1/2	52
	600	95	66.7	4	15.9	1/2	52
	900/1500	120	82.6	4	22.2	3/4	52
	2500	135	88.9	4	22.2	3/4	55
3/4 (DN 20)	150	100	69.9	4	15.9	1/2	52
	300	115	82.6	4	19.1	5/8	52
	600	115	82.6	4	19.1	5/8	52
	900/1500	130.0	88.9	4	22.2	3/4	52
	2500	140	95	4	22.2	3/4	55
1 (DN 25)	150	110.0	79.4	4	15.9	1/2	52
	300	125.0	88.9	4	19.1	5/8	52
	600	125.0	88.9	4	19.1	5/8	52
	900/1500	150.0	101.6	4	25.4	7/8	52
	2500	160	107.4	4	25.4	7/8	55
1 1/2 (DN 40)	150	125.0	98.4	4	15.9	1/2	52
	300	155	114.3	4	22.2	3/4	52
	600	155	114.3	4	22.2	3/4	52
	900/1500	180	123.8	4	28.6	1	52
	2500	205	146	4	31.8	1 1/8	55
2 (DN 50)	150	150	120.7	4	19.1	5/8	52
	300	165	127	8	19.1	5/8	52
	600	165	127	8	19.1	5/8	52
	900/1500	215	165.1	8	25.4	7/8	52
	2500	235.0	171.4	8	28.6	1	55

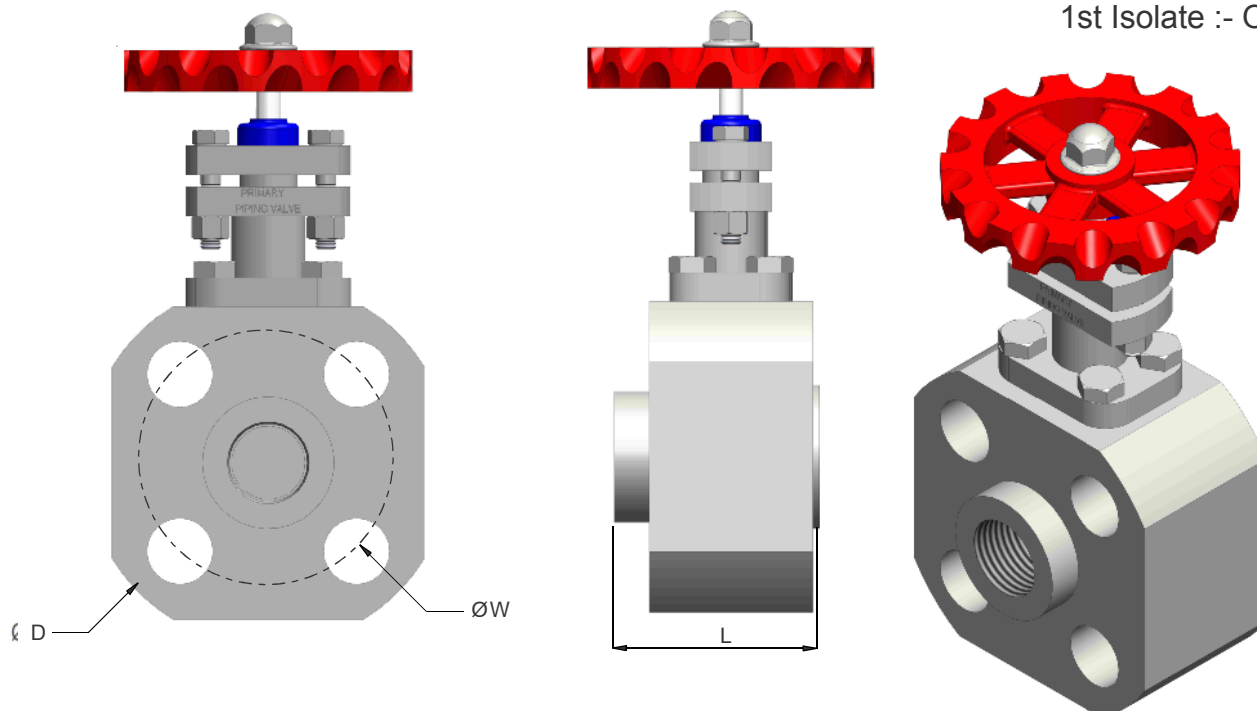
Note :- 1) End Connection of different size can be provided on request.

2) Dimension in millimeter are for reference only and are subject to change



## Single Block Monoflange Valve Flange x Thread

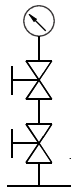
1st Isolate :- OS&Y



Flange Size (Inch)	Flange Class	Out Side Diameter of Flange Ø D (mm)	Diameter of Bolt Circle Ø W	No. of Bolts	Diameter of Bolt Holes (mm)	Diameter of Bolts (Inch)	TOTAL LENGTH (L)
1/2 (DN 15)	150	90	60.3	4	15.9	1/2	52
	300	95	66.7	4	15.9	1/2	52
	600	95	66.7	4	15.9	1/2	52
	900/1500	120	82.6	4	22.2	3/4	52
	2500	135	88.9	4	22.2	3/4	55
3/4 (DN 20)	150	100	69.9	4	15.9	1/2	52
	300	115	82.6	4	19.1	5/8	52
	600	115	82.6	4	19.1	5/8	52
	900/1500	130.0	88.9	4	22.2	3/4	52
	2500	140	95	4	22.2	3/4	55
1 (DN 25)	150	110.0	79.4	4	15.9	1/2	52
	300	125.0	88.9	4	19.1	5/8	52
	600	125.0	88.9	4	19.1	5/8	52
	900/1500	150.0	101.6	4	25.4	7/8	52
	2500	160	107.4	4	25.4	7/8	55
1 1/2 (DN 40)	150	125.0	98.4	4	15.9	1/2	52
	300	155	114.3	4	22.2	3/4	52
	600	155	114.3	4	22.2	3/4	52
	900/1500	180	123.8	4	28.6	1	52
	2500	205	146	4	31.8	1 1/8	55
2 (DN 50)	150	150	120.7	4	19.1	5/8	52
	300	165	127	8	19.1	5/8	52
	600	165	127	8	19.1	5/8	52
	900/1500	215	165.1	8	25.4	7/8	52
	2500	235.0	171.4	8	28.6	1	55

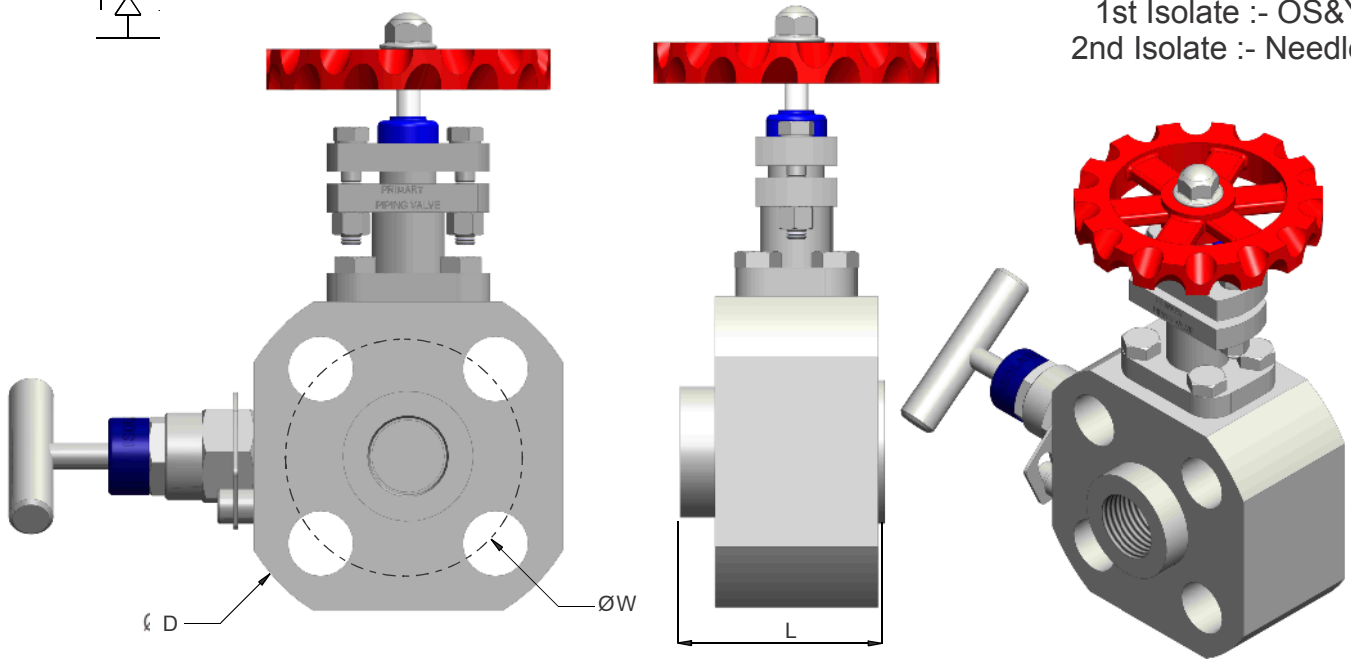
Note :- 1) End Connection of different size can be provided on request.

2) Dimension in millimeter are for reference only and are subject to change



## Double Block Monoflange Valve Flange x Thread

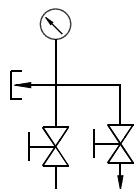
1st Isolate :- OS&Y  
2nd Isolate :- Needle



Flange Size (Inch)	Flange Class	Out Side Diameter of Flange Ø D (mm)	Diameter of Bolt Circle Ø W	No. of Bolts	Diameter of Bolt Holes (mm)	Diameter of Bolts (Inch)	TOTAL LENGTH (L)
1/2 (DN 15)	150	90	60.3	4	15.9	1/2	52
	300	95	66.7	4	15.9	1/2	52
	600	95	66.7	4	15.9	1/2	52
	900/1500	120	82.6	4	22.2	3/4	52
	2500	135	88.9	4	22.2	3/4	55
3/4 (DN 20)	150	100	69.9	4	15.9	1/2	52
	300	115	82.6	4	19.1	5/8	52
	600	115	82.6	4	19.1	5/8	52
	900/1500	130.0	88.9	4	22.2	3/4	52
	2500	140	95	4	22.2	3/4	55
1 (DN 25)	150	110.0	79.4	4	15.9	1/2	52
	300	125.0	88.9	4	19.1	5/8	52
	600	125.0	88.9	4	19.1	5/8	52
	900/1500	150.0	101.6	4	25.4	7/8	52
	2500	160	107.4	4	25.4	7/8	55
1 1/2 (DN 40)	150	125.0	98.4	4	15.9	1/2	52
	300	155	114.3	4	22.2	3/4	52
	600	155	114.3	4	22.2	3/4	52
	900/1500	180	123.8	4	28.6	1	52
	2500	205	146	4	31.8	1 1/8	55
2 (DN 50)	150	150	120.7	4	19.1	5/8	52
	300	165	127	8	19.1	5/8	52
	600	165	127	8	19.1	5/8	52
	900/1500	215	165.1	8	25.4	7/8	52
	2500	235.0	171.4	8	28.6	1	55

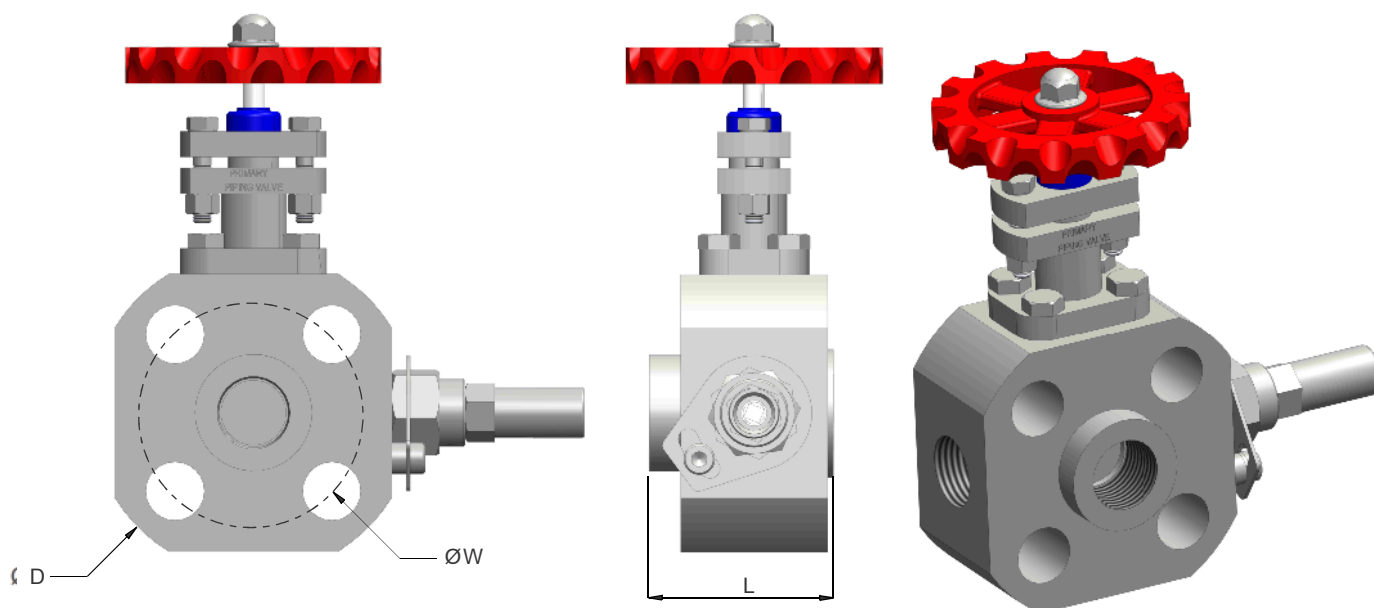
Note :- 1) End Connection of different size can be provided on request.  
2) Dimension in millimeter are for reference only and are subject to change





## Single Block & Bleed Monoflange Valve Flange x Thread

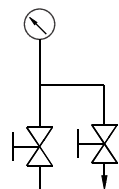
1st Isolate :- OS&Y  
Vent :- Needle



Flange Size (Inch)	Flange Class	Out Side Diameter of Flange Ø D (mm)	Diameter of Bolt Circle Ø W	No. of Bolts	Diameter of Bolt Holes (mm)	Diameter of Bolts (Inch)	TOTAL LENGTH (L)
1/2 (DN 15)	150	90	60.3	4	15.9	1/2	52
	300	95	66.7	4	15.9	1/2	52
	600	95	66.7	4	15.9	1/2	52
	900/1500	120	82.6	4	22.2	3/4	52
	2500	135	88.9	4	22.2	3/4	55
3/4 (DN 20)	150	100	69.9	4	15.9	1/2	52
	300	115	82.6	4	19.1	5/8	52
	600	115	82.6	4	19.1	5/8	52
	900/1500	130.0	88.9	4	22.2	3/4	52
	2500	140	95	4	22.2	3/4	55
1 (DN 25)	150	110.0	79.4	4	15.9	1/2	52
	300	125.0	88.9	4	19.1	5/8	52
	600	125.0	88.9	4	19.1	5/8	52
	900/1500	150.0	101.6	4	25.4	7/8	52
	2500	160	107.4	4	25.4	7/8	55
1 1/2 (DN 40)	150	125.0	98.4	4	15.9	1/2	52
	300	155	114.3	4	22.2	3/4	52
	600	155	114.3	4	22.2	3/4	52
	900/1500	180	123.8	4	28.6	1	52
	2500	205	146	4	31.8	1 1/8	55
2 (DN 50)	150	150	120.7	4	19.1	5/8	52
	300	165	127	8	19.1	5/8	52
	600	165	127	8	19.1	5/8	52
	900/1500	215	165.1	8	25.4	7/8	52
	2500	235.0	171.4	8	28.6	1	55

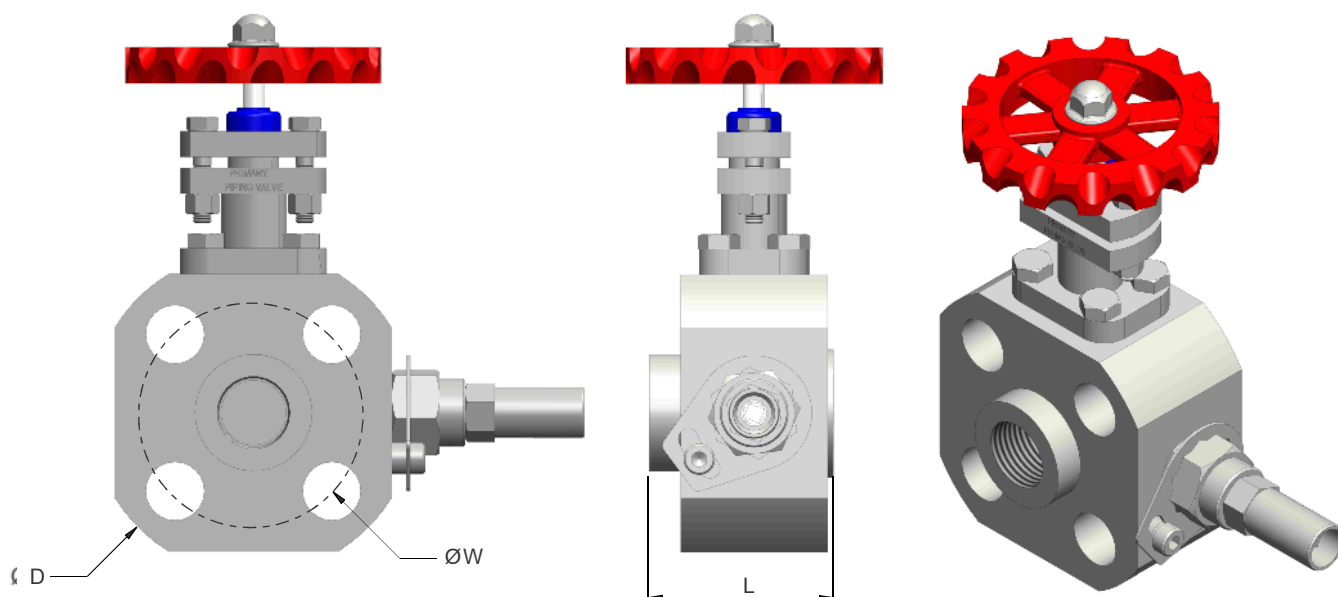
Note :- 1) End Connection of different size can be provided on request.

2) Dimension in millimeter are for reference only and are subject to change



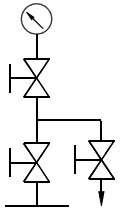
## Single Block & Bleed Monoflange Valve Flange x Thread

1st Isolate :- OS&Y  
Vent :- Needle



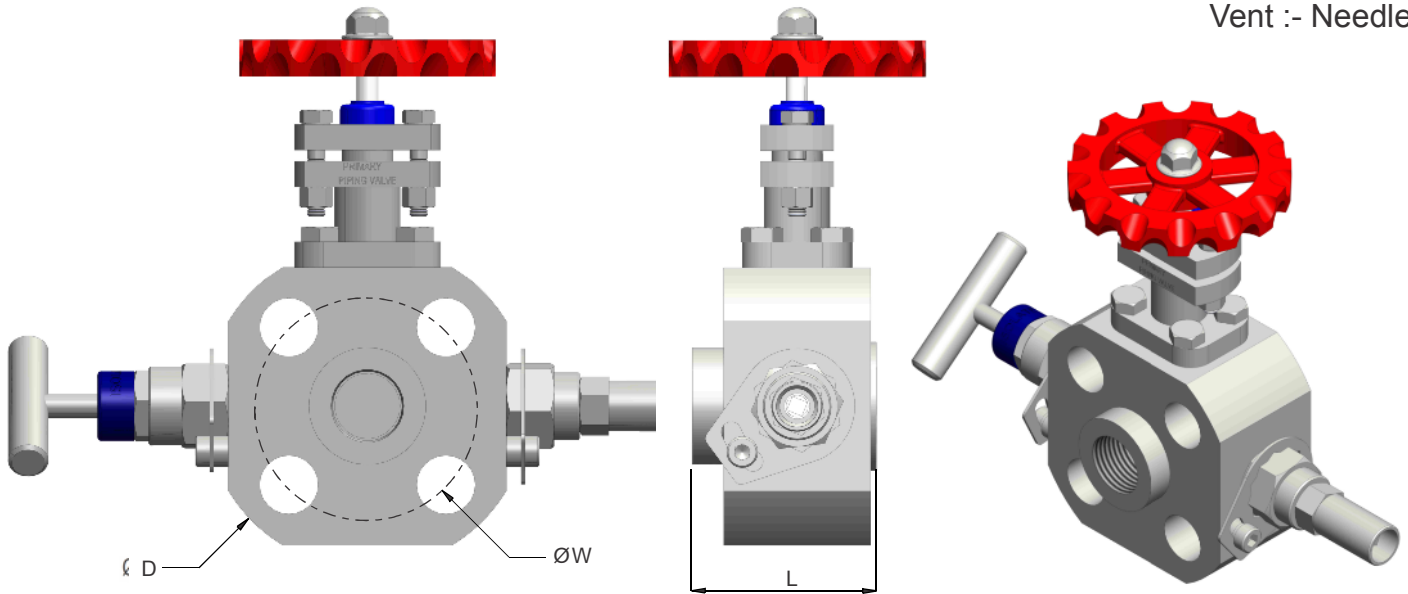
Flange Size (Inch)	Flange Class	Out Side Diameter of Flange Ø D (mm)	Diameter of Bolt Circle Ø W	No. of Bolts	Diameter of Bolt Holes (mm)	Diameter of Bolts (Inch)	TOTAL LENGTH (L)
1/2 (DN 15)	150	90	60.3	4	15.9	1/2	52
	300	95	66.7	4	15.9	1/2	52
	600	95	66.7	4	15.9	1/2	52
	900/1500	120	82.6	4	22.2	3/4	52
	2500	135	88.9	4	22.2	3/4	55
3/4 (DN 20)	150	100	69.9	4	15.9	1/2	52
	300	115	82.6	4	19.1	5/8	52
	600	115	82.6	4	19.1	5/8	52
	900/1500	130.0	88.9	4	22.2	3/4	52
	2500	140	95	4	22.2	3/4	55
1 (DN 25)	150	110.0	79.4	4	15.9	1/2	52
	300	125.0	88.9	4	19.1	5/8	52
	600	125.0	88.9	4	19.1	5/8	52
	900/1500	150.0	101.6	4	25.4	7/8	52
	2500	160	107.4	4	25.4	7/8	55
1 1/2 (DN 40)	150	125.0	98.4	4	15.9	1/2	52
	300	155	114.3	4	22.2	3/4	52
	600	155	114.3	4	22.2	3/4	52
	900/1500	180	123.8	4	28.6	1	52
	2500	205	146	4	31.8	1 1/8	55
2 (DN 50)	150	150	120.7	4	19.1	5/8	52
	300	165	127	8	19.1	5/8	52
	600	165	127	8	19.1	5/8	52
	900/1500	215	165.1	8	25.4	7/8	52
	2500	235.0	171.4	8	28.6	1	55

Note :- 1) End Connection of different size can be provided on request.  
2) Dimension in millimeter are for reference only and are subject to change



## Double Block & Bleed Monoflange Valve Flange x Thread

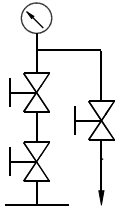
1st Isolate :- OS&Y  
2nd Isolate :- Needle  
Vent :- Needle



Flange Size (Inch)	Flange Class	Out Side Diameter of Flange $\phi D$ (mm)	Diameter of Bolt Circle $\phi W$	No. of Bolts	Diameter of Bolt Holes (mm)	Diameter of Bolts (Inch)	TOTAL LENGTH (L)
1/2 (DN 15)	150	90	60.3	4	15.9	1/2	52
	300	95	66.7	4	15.9	1/2	52
	600	95	66.7	4	15.9	1/2	52
	900/1500	120	82.6	4	22.2	3/4	52
	2500	135	88.9	4	22.2	3/4	55
3/4 (DN 20)	150	100	69.9	4	15.9	1/2	52
	300	115	82.6	4	19.1	5/8	52
	600	115	82.6	4	19.1	5/8	52
	900/1500	130.0	88.9	4	22.2	3/4	52
	2500	140	95	4	22.2	3/4	55
1 (DN 25)	150	110.0	79.4	4	15.9	1/2	52
	300	125.0	88.9	4	19.1	5/8	52
	600	125.0	88.9	4	19.1	5/8	52
	900/1500	150.0	101.6	4	25.4	7/8	52
	2500	160	107.4	4	25.4	7/8	55
1 1/2 (DN 40)	150	125.0	98.4	4	15.9	1/2	52
	300	155	114.3	4	22.2	3/4	52
	600	155	114.3	4	22.2	3/4	52
	900/1500	180	123.8	4	28.6	1	52
	2500	205	146	4	31.8	1 1/8	55
2 (DN 50)	150	150	120.7	4	19.1	5/8	52
	300	165	127	8	19.1	5/8	52
	600	165	127	8	19.1	5/8	52
	900/1500	215	165.1	8	25.4	7/8	52
	2500	235.0	171.4	8	28.6	1	55

Note :- 1) End Connection of different size can be provided on request.

2) Dimension in millimeter are for reference only and are subject to change

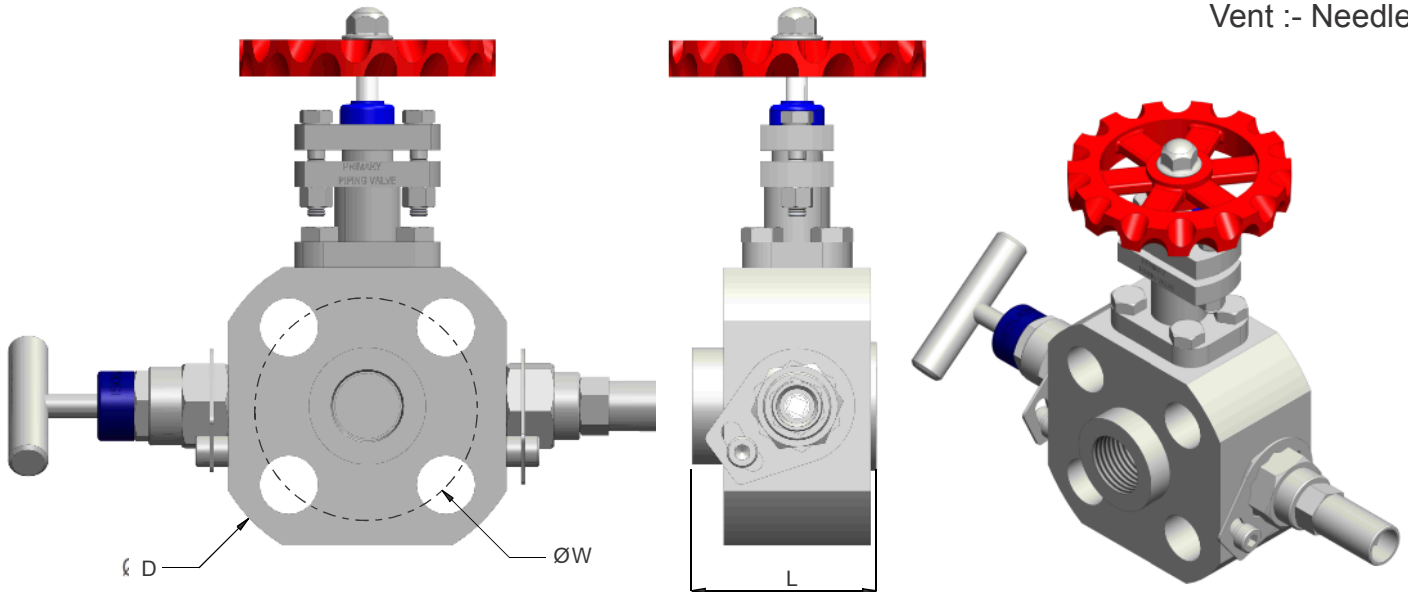


## Double Block & Bleed Monoflange Valve Flange x Thread

1st Isolate :- OS&Y

2nd Isolate :- OS&Y

Vent :- Needle



Flange Size (Inch)	Flange Class	Out Side Diameter of Flange $\phi D$ (mm)	Diameter of Bolt Circle $\phi W$	No. of Bolts	Diameter of Bolt Holes (mm)	Diameter of Bolts (Inch)	TOTAL LENGTH (L)
1/2 (DN 15)	150	90	60.3	4	15.9	1/2	52
	300	95	66.7	4	15.9	1/2	52
	600	95	66.7	4	15.9	1/2	52
	900/1500	120	82.6	4	22.2	3/4	52
	2500	135	88.9	4	22.2	3/4	55
3/4 (DN 20)	150	100	69.9	4	15.9	1/2	52
	300	115	82.6	4	19.1	5/8	52
	600	115	82.6	4	19.1	5/8	52
	900/1500	130.0	88.9	4	22.2	3/4	52
	2500	140	95	4	22.2	3/4	55
1 (DN 25)	150	110.0	79.4	4	15.9	1/2	52
	300	125.0	88.9	4	19.1	5/8	52
	600	125.0	88.9	4	19.1	5/8	52
	900/1500	150.0	101.6	4	25.4	7/8	52
	2500	160	107.4	4	25.4	7/8	55
1 1/2 (DN 40)	150	125.0	98.4	4	15.9	1/2	52
	300	155	114.3	4	22.2	3/4	52
	600	155	114.3	4	22.2	3/4	52
	900/1500	180	123.8	4	28.6	1	52
	2500	205	146	4	31.8	1 1/8	55
2 (DN 50)	150	150	120.7	4	19.1	5/8	52
	300	165	127	8	19.1	5/8	52
	600	165	127	8	19.1	5/8	52
	900/1500	215	165.1	8	25.4	7/8	52
	2500	235.0	171.4	8	28.6	1	55

Note :- 1) End Connection of different size can be provided on request.

2) Dimension in millimeter are for reference only and are subject to change